

canfield connector
 8510 Foxwood Court
 Youngstown, Ohio 44514
 P:(330) 758-8299 F:(330) 758-8912
 www.canfieldconnector.com

ETS SERIES

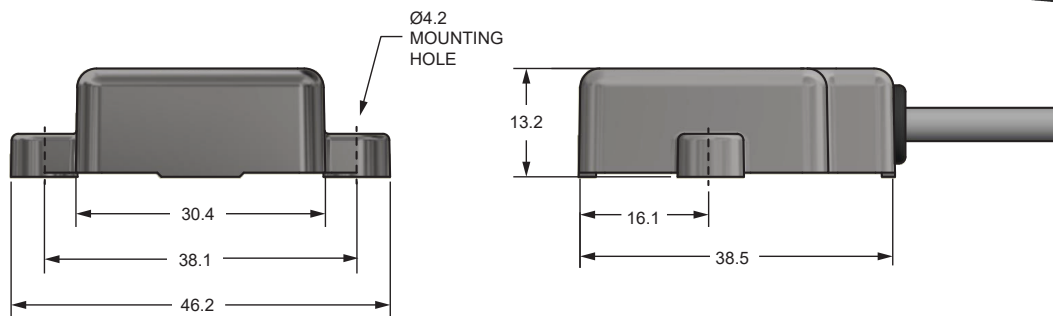
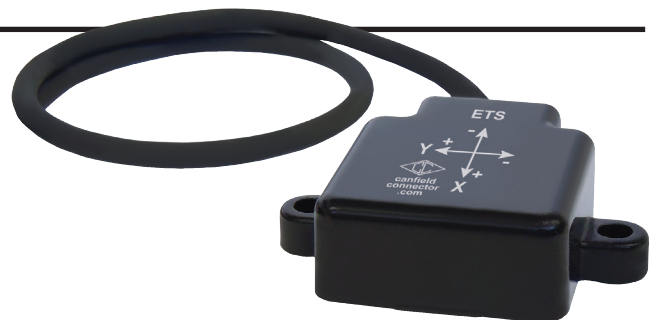
ELECTRONIC TILT SWITCH

General Description

The Canfield Connector Electronic Tilt Switch is a rugged, non-mercury, all electronic sensor designed to trigger a precision output based on user defined angles of slope, tilt, or elevation of an object with respect to gravity, based on an artificial horizon. The Canfield Connector ETS Series is an all solid-state MEMs device designed to measure tilt and facilitate either a high or low signal output, while internally calculating the data within 0.5 degrees accuracy up to a preset trigger point within +/- 85 degrees. The unit features a rugged metal housing and is epoxy encapsulated for vibration, dust and water resistance to IP69K. The ETS Series is omnidirectional and boasts a temperature drift of +/- 1° maximum with a temperature range of -40 to 85°C. The ETS Series is digitally and temperature compensated and precisely calibrated to remove non-linearity of the trip point. Applications for Tilt Switches such as the ETS Series include platform leveling, motion limit sensing, boom angle sensing, cameras, machine arm angle sensing as well as mobile security systems. The unit comes with PVC wire (PUR on request), 9ft. length with other lengths and quick connections available. The unit is installed in place by use of two 4.2mm holes.

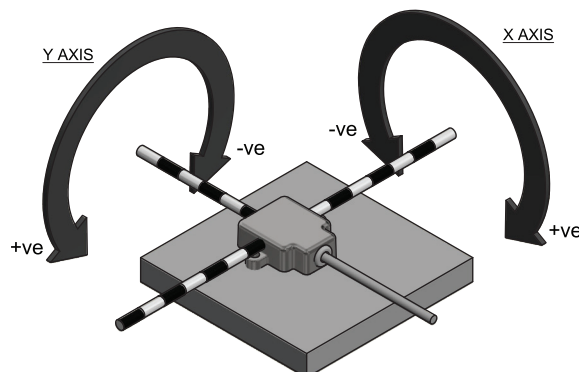
Dimensional Data

ALL DIMENSIONS ARE IN MILLIMETERS UNLESS OTHERWISE NOTED



Mounting / Sensing Orientation

Mounted on Horizontal Surface

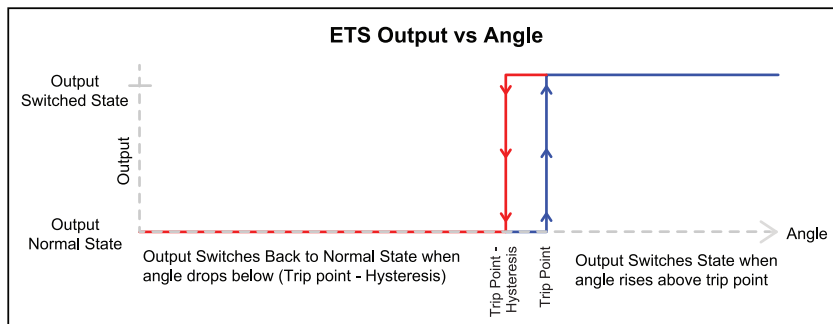


Sensors

Technical Data

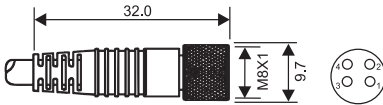
Accuracy @ 20°C	0.5°
Environmental Protection	Up to IP 69K
Materials	Housing: Zinc die-cast Housing Finish: Black powder coat
Number of Axis	Single: 1 Dual: 2
Output Current	1Amp Max (each)
Output Format	Sourcing
Output Type	Supply 1V Max
Supply Voltage	12-24 VDC
Temperature Drift	+/- 1° Maximum
Temperature Range	-40° to +85°C
Cable Type	PVC (PUR on request. Consult Factory)
Wire Gauge	24 AWG

Graph



Mating Cordsets / Pin Configuration

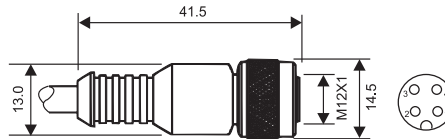
8mm female molded locking connectors



Brown = Pin 1
White = Pin 2
Blue = Pin 3
Black = Pin 4

Order part number
RC08S-F0M040120 (2m length)
RC08S-F0M040150 (5m length)

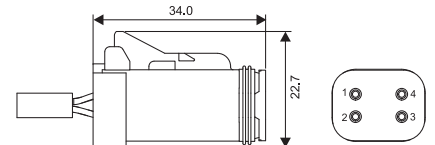
12mm female molded locking connector



Brown = Pin 1
White = Pin 2
Blue = Pin 3
Black = Pin 4

Order part number
RC12S-F0M040120 (2m length)
RC12S-F0M040150 (5m length)

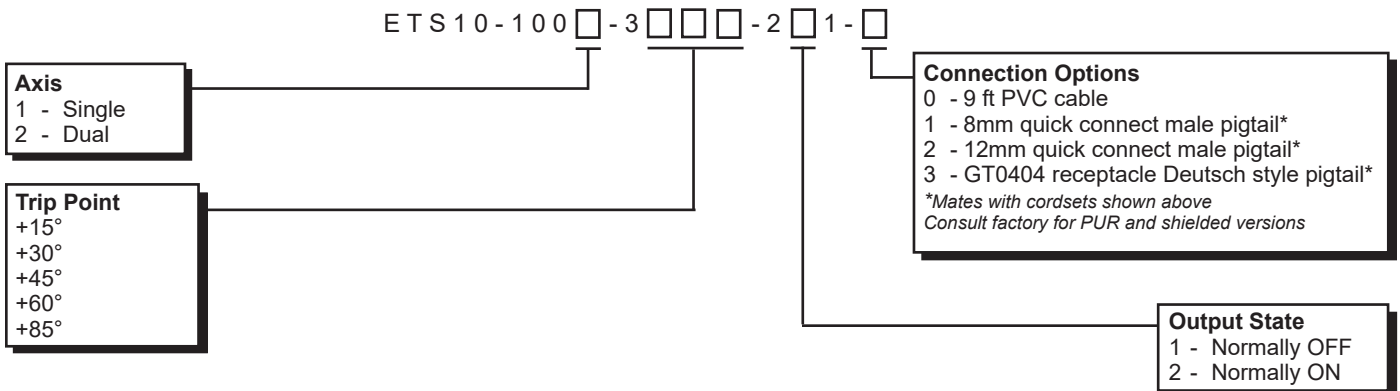
GT Deutsch style locking plug



Brown = Pin 1
Blue = Pin 2
Black = Pin 3
Green = Pin 4

Order part number
GT0604-U000-1A (2m length)
GT0604-X000-1A (5m length)

Ordering Information



Ordering Example: ETS10-1001-3+15-211-0

Single Axis, +15° Trip Point, Normally Off, 9 ft. PVC cable.