

**canfield connector**  
 8510 Foxwood Court  
 Youngstown, Ohio 44514  
 P:(330) 758-8299 F:(330) 758-8912  
 www.canfieldconnector.com

**EiS SERIES**

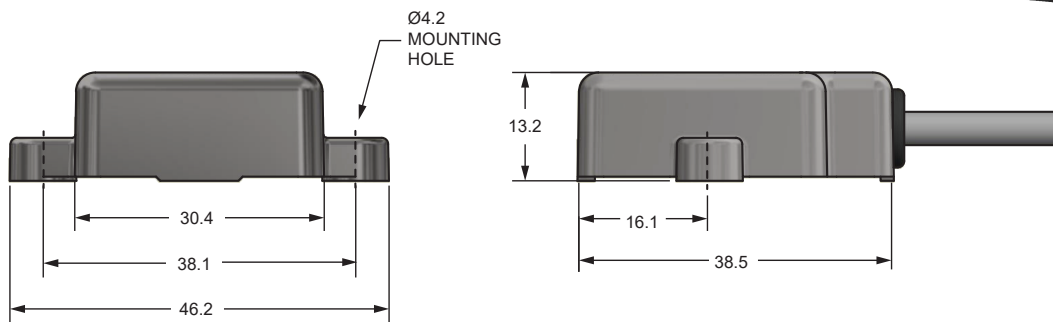
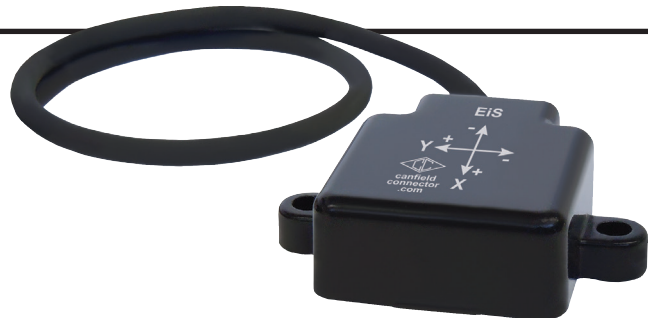
**ELECTRONIC INCLINOMETER  
 SENSOR**

**General Description**

The Canfield Connector Electronic Inclinometer Sensor EiS is an instrument designed to measure angles of slope, tilt, or elevation of an object with respect to gravity based on an artificial horizon. Synonyms include tilt sensor, tilt switch, clinometer, slope sensor, slope gauge, level sensor, level meter, tiltmeter or pitch and roll sensor. The EiS Series is an all solid-state, MEMs device designed to measure tilt while reporting the data within 0.3 degrees accuracy +/- 85° with an analog output of .5 to 9.5 Volts DC, 4 -20mA. The unit features a miniature metal housing and is epoxy encapsulated for vibration, water and dust resistance and is rated up to IP 69K environmental rating. Available in 1 or 2 axis versions, the unit boasts a temperature drift of +/- 1° maximum with a temperature range of -40 to 85°C. The EiS Series is precisely calibrated to remove non-linearity in the sensing range. Applications for inclinometers such as the EiS Series include platform leveling, motion sensing, filter vibrations, boom angle sensing, cameras, machine arm angle sensing as well as mobile security systems. The unit comes with high quality 9 ft. PVC jacketed wire, other lengths and quick connections as options, and is mounted in place by use of two 4.2mm holes.

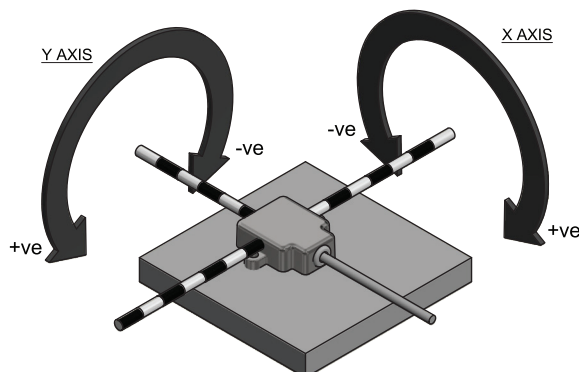
**Dimensional Data**

ALL DIMENSIONS ARE IN MILLIMETERS UNLESS OTHERWISE NOTED



**Mounting / Sensing Orientation**

**Mounted on Horizontal Surface**

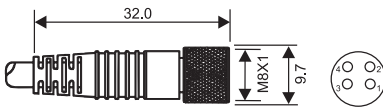


Sensors

Accuracy @ 20°C	0.3°
Environmental Protection	Up to IP 69K
Materials	Housing: Zinc die-cast Housing Finish: Black powder coat
Number of Axis	Single: 1 Dual: 2
Output Current	10 mA Maximum (Voltage Output Units)
Output Format	Analog
Output Type	0.5 - 4.5VDC 0.5 - 9.5 VDC 4 - 20 mA
Range	+/- 85°
Supply Voltage	12-24 VDC
Temperature Drift	+/- 1° Maximum
Temperature Range	-40° to +85°C
Cable Type	PVC (PUR on request. Consult Factory)
Wire Gauge	24 AWG

Mating Cordsets / Pin Configuration

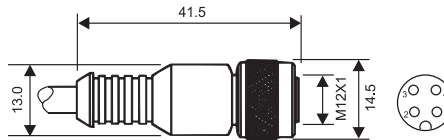
8mm female molded locking connectors



Brown = Pin 1  
White = Pin 2  
Blue = Pin 3  
Black = Pin 4

**Order part number**  
RC08S-F0M040120 (2m length)  
RC08S-F0M040150 (5m length)

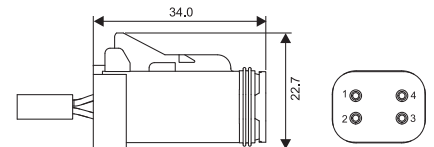
12mm female molded locking connector



Brown = Pin 1  
White = Pin 2  
Blue = Pin 3  
Black = Pin 4

**Order part number**  
RC12S-F0M040120 (2m length)  
RC12S-F0M040150 (5m length)

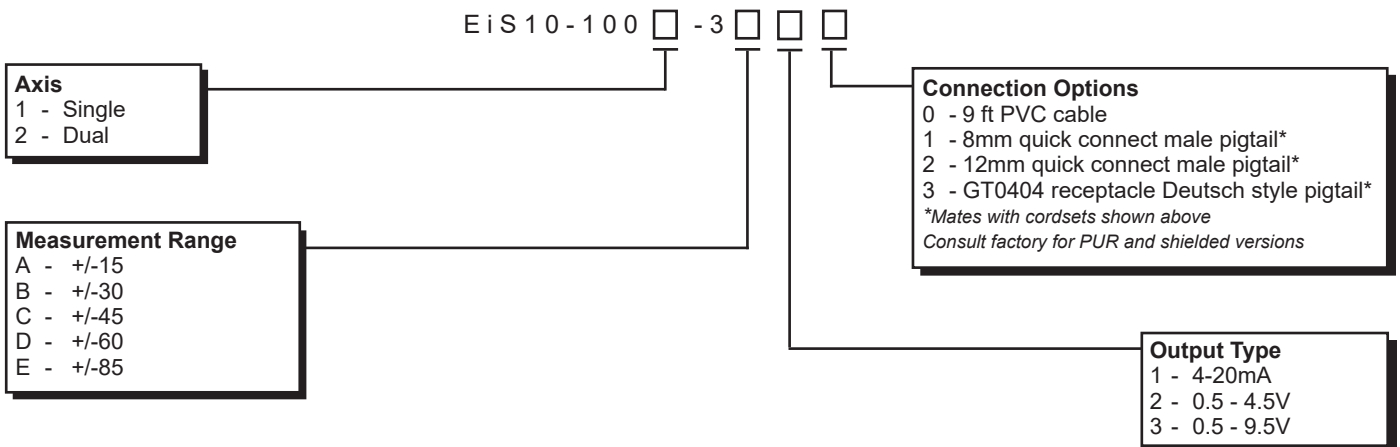
GT Deutsch style locking plug



Brown = Pin 1  
Blue = Pin 2  
Black = Pin 3  
Green = Pin 4

**Order part number**  
GT0604-U000-1A (2m length)  
GT0604-X000-1A (5m length)

Ordering Information



**Ordering Example:** EiS10-1001-3A10  
Single Axis, +/-15 Range, 4-20mA, 9 ft. PVC cable.